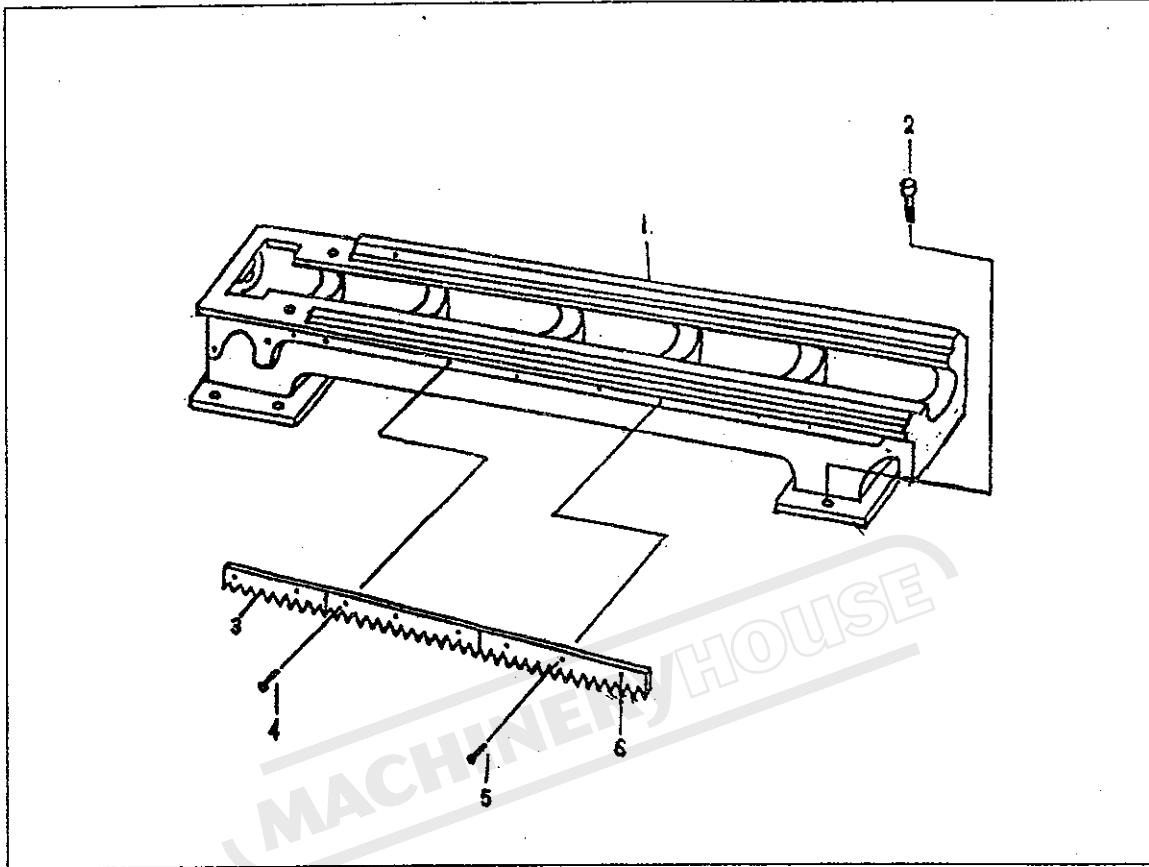


# PARTS DRAWING & PARTS LIST

**BE SUBJECT TO ALTERATION WITHOUT NOTICE**

## CONTENTS

1. BED ASSEMBLY-----	28
2. HEAD STOCK -----	29
3. GEAR BOX -----	32
4. GEAR BOX -I-----	35
5. GEAR BOX -II-----	38
6. GEAR BOX -III-----	41
7. APRON-----	44
8. COMPOUND REST-----	48
9. SADDLE-----	50
10. TAIL STOCK-----	52
11. CHANGE GEAR -----	53
12. CONTROL SWITCH ASSEMBLY-----	54
13. BED AND DRIVE ASSEMBLY-----	55
14. SPECIAL ACCESSORIES-----	56
15. STEADY REST-----	59
16. FOLLOW REST-----	60
17. POSITION DEVICE-----	61
18. PROTECTING COVER-----	62
19. GUARD-----	63

**BED ASSEMBLY****BED ASSEMBLY**

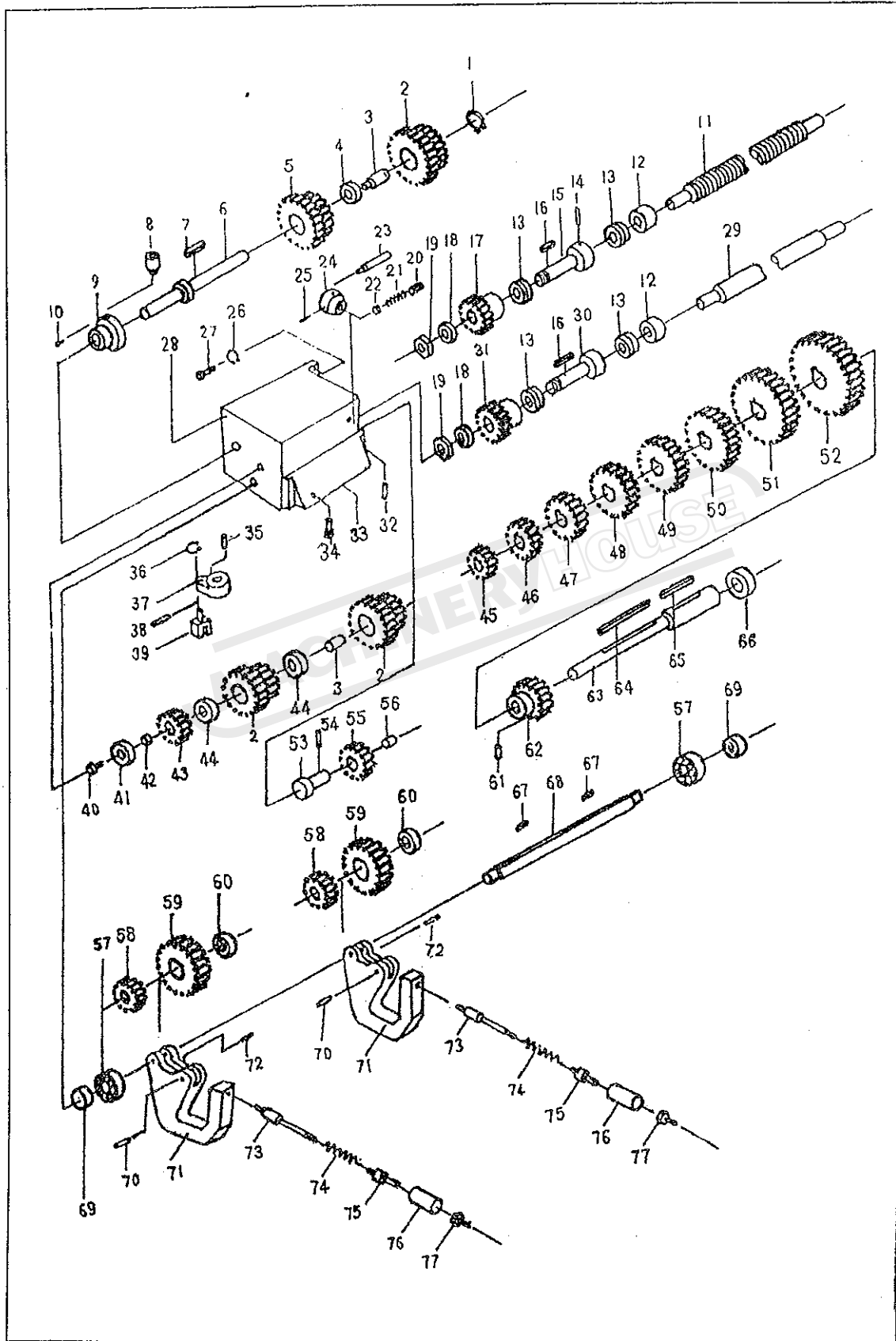
NO.	NAME	QTY	NOTE	NO.	NAME	QTY	NOTE
1	Lathe bed	1	10047	4	Screw	6	M6×15
2	Screw	6	M12 ×40	5	Pin	6	5×20
3	Rack gear	1	1009	6	Rack gear	2	1011



HEAD STOCK							
No.	NAME	QTY	NOTE	No.	NAME	QTY	NOTE
1	Spindle	1	2034	34	Circlip	1	
2	Lock pin	3	2035	35	Gear	1	2022
3	Spring	3	0.6×4×22	36	Gear	1	2020
4	Screw	3	M8×16	37	Gear	1	2021
5	Cover	1	2038	38	Circlip	1	
6	Oil seal	1	2006	39	Bearing	1	6104
7	Bearing	1	D7212	40	Cover	1	2009
8	Gear	1	2031	41	Oil seal	1	2009A
9	Gear	1	2030	42	Key	1	8×108
10	Gear	1	2029	43	Screw	2	M3×8
11	Nut	1	2024	44	Oil seal	1	
12	Gear	1	2008	45	Fascia	1	2055
13	Bearing	1	D7212	46	Screw	6	M3×8
14	Nut	2	2007	47	Screw	2	M6×12
15	Cover	1	2005A	48	Washer	2	2003
16	Oil seal	1	2023	49	Gear	2	2026
17	Screw	4	M8×16	50	Circlip	1	25
18	Screw	2	M8×8	51	Bearing	1	
19	Collar	2	2025	52	Shaft	1	2027a
20	Screw	4	M8×16	53	Circlip	1	42
21	Screw	2	M3×8	54	Bearing	1	
22	Key	1	8×45	55	Circlip	1	20
23	Key	1	8×80	56	Oil seal	1	D20×40×10
24	Shaft	3	2037	57	Cover	1	2004A
25	Screw	5	M8×16	58	Oil seal	2	2066
26	Cover	1	2040	59	Gear	1	2002B
27	Oil seal	1	2028	60	Screw	3	M6×115
28	Bearing	1		61	Key	1	C5×8
29	Shaft	1	2039	62	Key	1	C5×20
30	Gear	1	2017	63	Cover	1	2063
31	Key	2	5×18	64	Circlip	1	
32	Gear	1	2015	65	Bearing	1	
33	Gear	1	2016	66	Shaft	1	2010B

No.	NAME	QTY	NOTE	No.	NAME	QTY	NOTE
67	Key	1	5×80	95	Headstock	1	2033
68	Key	1	C5×24	96	Pin	2	4×24
69	Gear	1	2019	97	Oil seal	7	16×2.4
70	Gear	1	2018	98	Shaft	2	2046
71	Gear	1	2013	99	Shaft arm	2	2042
72	Circlip	1	47	100	Pin	3	4×24
73	Bearing	2		101	Circlip	3	
74	Circlip	1		102	Shifter	2	2041
75	Cover	1	2012B	103	Key	2	5×16
76	Oil seal	1	D25×40×10	104	Handle	3	2058
77	Screw	4	M6×20	105	Boss	2	2059
78	Pulley	1	2014	106	Ball	4	
79	Washer	1	2011	107	Spring	4	1×6×20
80	Screw	1	M8×20	108	Gear	2	2047
81	Oil seal	1		109	Screw	4	M8×8
82	Screw	1	M6×8	110	Screw	2	M12×25
83	Shaft	1	2001	111	Screw	4	M3×6
84	Circlip	2	47	112	Fascia	2	2060
85	Gear	1	2032	113	Screw	2	M6×20
86	Bearing	1		114	Gear	2	2061
87	Circlip	1		115	Screw	1	M6×8
88	Screw	6	M6×30	116	Shift arm	1	2054A
89	Screw	2	M6×20	117	Collar	1	2079
90	Screw	1	M16×1.5	118	Shifter	1	2048
91	Oil seal	1	16×2.4	119	Shaft	1	2052
92	Screw	1	M16×1.5	120	Pin	1	5×40
93	Cover	1	2044	121	Boss	1	2051
94	Oil seal	1	2062				

# GEAR BOX



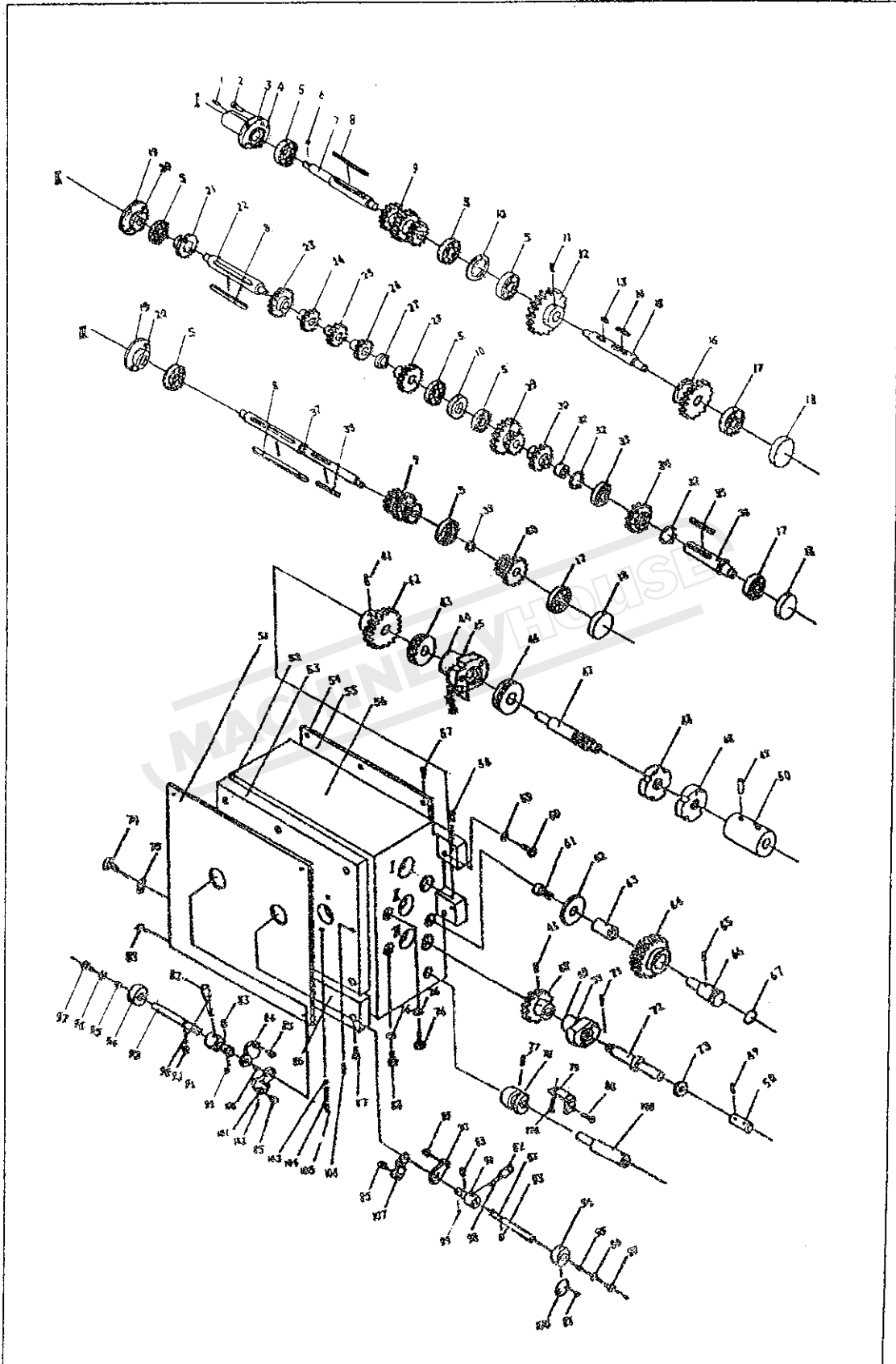
GEAR BOX							
No.	NAME	QTY	NOTE.	No.	NAME	QTY	NOTE.
1	Oil Cup	1		21	Boss	1	2057
2	Circlip	1		22	Pin	1	5×40
3	Gear	3	3015	23	Gear Box	1	3001
4	Bushing	3	3016	24	Screw	3	M8×8
5	Washer	1	3024	25	Spring	2	1×4.5×7
6	Gear	1	3023	26	Sted Ball	2	
7	Shaft	1	3022	27	Screw	2	M10×30
8	Key	1	5×10	28	Spring washer	2	
9	Cover	1	3031	29	Feed Rod	1	1006
10	Screw	3	M6×16	30	Shaft	1	3047
11	Guide Screw	1	1005	31	Gear	1	3004
12	Sheath	2	3084	32	Plate	1	3029
13	Bearing	4	8103	33	Screw	4	M6×16
14	Pin	2	5×35	34	Shaft	1	3039
15	Shaft	1	3028	35	Circlip	1	
16	Key	2	5×14	36	Shifter Arm	1	3040
17	Gear	1	3026	37	Pin	1	5×30
18	Nut	4	M12	38	Shifter	1	3041
19	Washer	4	3025	39	Bushing	1	3019
20	Lever	1	6056	40	Screw	1	M6×12



No.	NAME	QTY	NOTE	No.	NAME	QTY	NOTE
41	Washer	1	3021	61	Pin	1	
42	Gear	2	3018	62	Gear	1	3027
43	Washer	2	3017	63	Shaft	1	3020
44	Gear	1	3012	64	Key	1	5×75
45	Gear	1	3011	65	Key	1	3042
46	Gear	1	3010	66	Top	1	3043
47	Gear	1	3009	67	Key	2	3014
48	Gear	1	3008	68	Shaft	1	3003
49	Gear	1	3007	69	Pin	2	5×18
50	Gear	1	3006	70	Top	2	3002
51	Gear	1	3005	71	Screw	2	M6×5
52	Gear	2	3044	72	Shaft	2	3051
53	Pin	4	6×25	73	Shaft	2	3054
54	Gear	2	3045	74	Spring	2	1×8×47
55	Bushing	1	3046	75	Sleeve	2	2053
56	Bearing	2		76	Housing	2	3055
57	Gear	1	3013	77	Nut	2	M6
58	Gear	2	3049				
59	Bushing	2	3050				
60	Shifter Lever	2	3052				



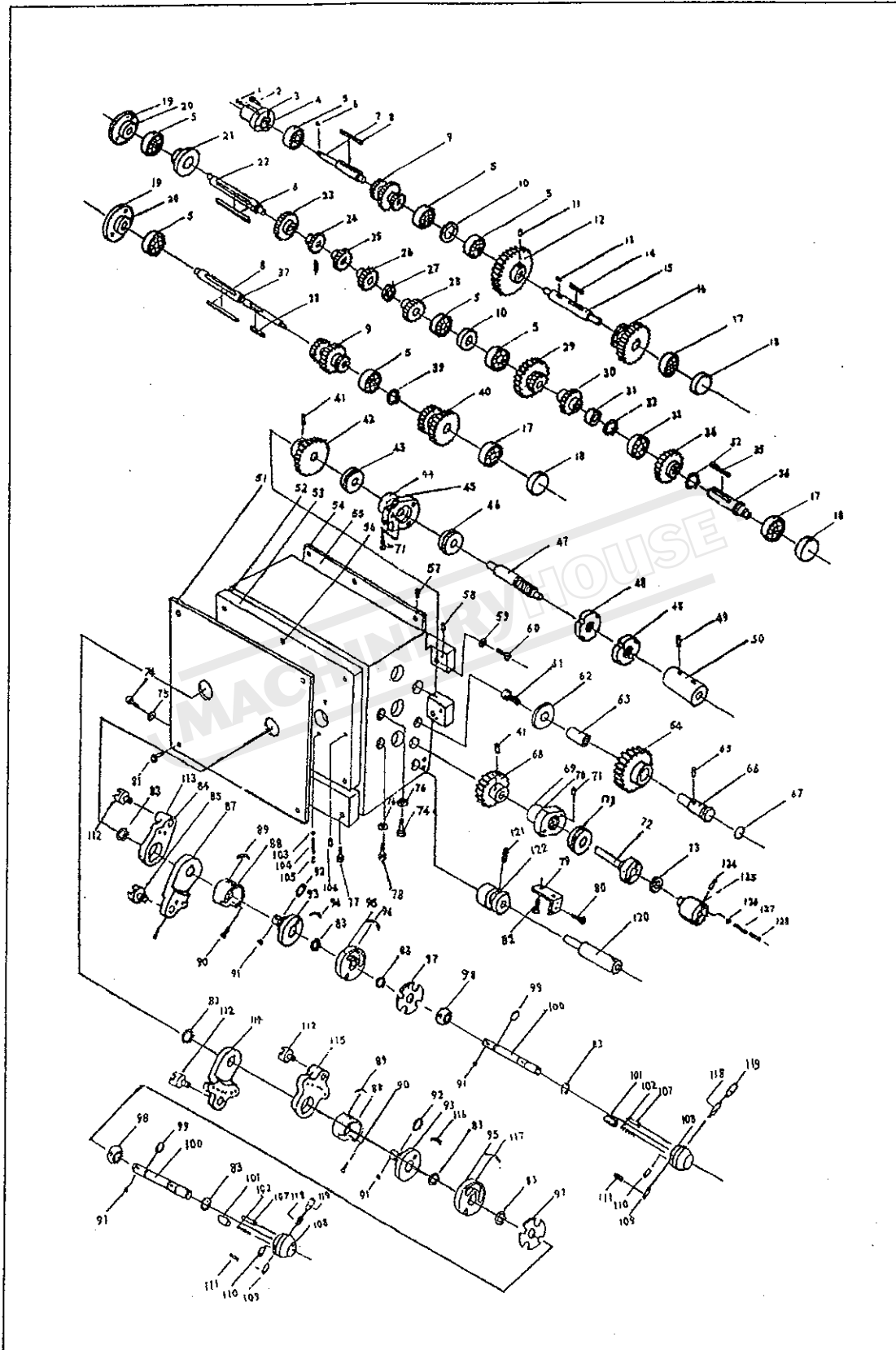
# GEAR BOX- I



GEAR BOX- I							
No.	NAME	QTY	NOTE	No.	NAME	QTY	NOTE
1	Oil Cup	1		29	Gear	1	3026C
2	Screw	7	M6×12	30	Gear	1	3007C
3	Cover	1	3034B	31	Washer	1	3008C
4	Oil seal	1	3035C	32	Circlip	2	
5	Bearing	8		33	Bearing	1	
6	Key	1	5×13	34	Gear	1	3009B
7	Shaft	1	3041B	35	Key	1	C5×40
8	Key	3	6×90	36	Shaft	1	3019C
9	Gear	2	3005B	37	Shaft	1	3004B
10	Washer	2	3066B	38	Key	1	5×35
11	Screw	1	M6×8	39	Circlip	1	
12	Gear	1	3027C	40	Gear	1	3006C
13	Key	1	6×15	41	Pin	2	5×25
14	Key	1	6×35	42	Gear	1	3018C
15	Shaft	1	3067C	43	Bearing	1	8103
16	Gear	1	3025C	44	Cover	1	3084D
17	Bearing	3		45	Oil seal	1	3068D
18	Cover	3	3017B	46	Bearing	1	8104
19	Cover	2	3044B	47	Shaft	1	3021C
20	Oil seal	2	3046B	48	Nut	2	M20×1.5
21	Washer	1	3045B	49	Pin	1	5×25
22	Shaft	1	3033B	50	Bushing	1	3020D
23	Gear	1	3029B	51	Fasica	1	3060D
24	Gear	1	3031B	52	Oil seal	1	3071D
25	Gear	1	3032B	53	Cover	1	3059B
26	Gear	1	3003B	54	Cover	1	3042C
27	Washer	1	3030B	55	Oil seal	1	3070C
28	Gear	1	3002B	56	Gear box	1	3001C

No.	NAME	QTY	NOTE	No.	NAME	QTY	NOTE
57	Screw	6	M6×12	85	Shifter	3	3049B
58	Pin	2	5×25	86	Cover	1	3061B
59	Spring washer	2		87	Screw	8	M8×16
60	Screw	2	10×30	88	Oil window	1	
61	Screw	1	M6×12	89	Shifter	1	3062B
62	Washer	1	6×32×5	90	Shifter arm	1	3063B
63	Bushing	1	3024C	91	Boss	2	3057C
64	Gear	1	3016C	92	Shaft	2	3056C
65	Screw	1	M6×16	93	Oil seal	2	16×2.4
66	Shaft	1	3015C	94	Hand wheel	2	3054C
67	Oil seal	1	22×2.65	95	Key	2	5×8
68	Gear	1	3014C	96	Washer	2	
69	Cover	1	3022F	97	Screw	2	M6×10
70	Oil seal	1	3086D	98	Lever	2	3051C
71	Screw	5	M6×25	99	Key	2	5×8
72	Shaft	1	3013E	100	Pin	1	
73	Oil seal	1	25×40×10	101	Shifter arm	1	3058C
74	Screw	2	M16×1.5	102	Screw	4	M3×6
75	Washer	2		103	Ball	4	Ø15
76	Oil seal	2	16×2.4	104	Spring	4	1×5×14
77	Screw	1	M6×10	105	Screw	4	M8×5
78	Position piece	1	3012E	106	Pin	2	M5×25
79	Support	1	7003C	107	Shifter arm	2	3065C
80	Screw	2	M4×20	108	Sign board	2	2060
81	Screw	8	M8×16	109	Shaft	1	3011D
82	Knob	2	M8×40	110	Screw	2	M4×40
83	Oil seal	2	25×2.65				
84	Shifter Arm	1	3053B				

# GEAR BOX - II



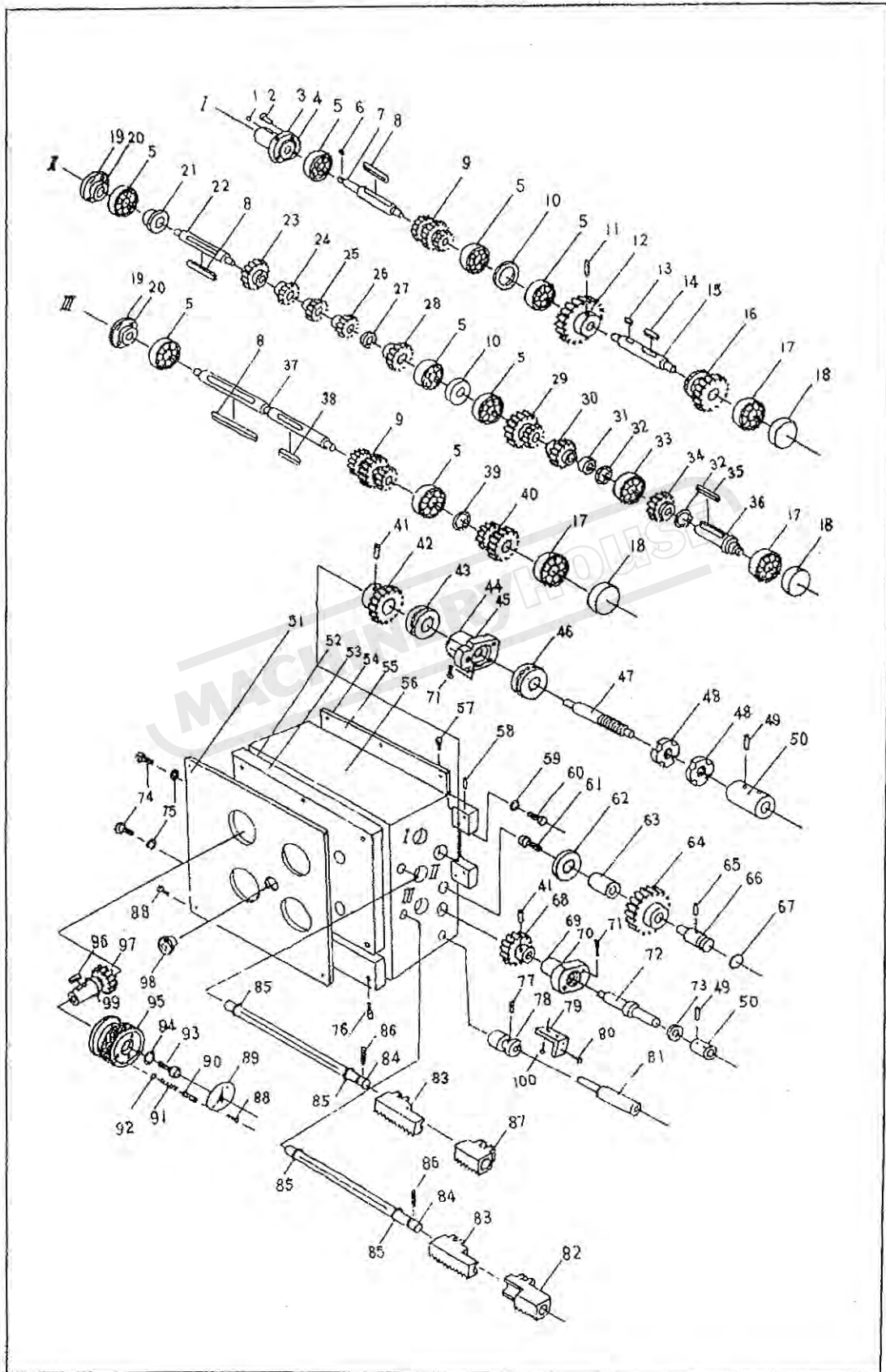
GEAR BOX- II							
No.	NAME	QTY	NOTE	No.	NAME	QTY	NOTE
1	Oil Cup	1		33	Bearing	1	
2	Screw	7	M6×12	34	Gear	1	3009B
3	Cover	1	3034B	35	Key	1	C5×40
4	Oil seal	1	3035C	36	Shaft	1	3019C
5	Bearing	8		37	Shaft	1	3004B
6	Key	1	5×13	38	Key	1	5×35
7	Shaft	1	3041B	39	Circlip	1	
8	Key	3	6×90	40	Gear	1	3006C
9	Gear	2	3005B	41	Pin	2	5×25
10	Washer	2	3066B	42	Gear	1	3018C
11	Screw	1	M6×8	43	Bearing	1	8103
12	Gear	1	3027C	44	Cover	1	3084D
13	Key	1	6×15	45	Oil seal	1	3068D
14	Key	1	6×35	46	Bearing	1	8104
15	Shaft	1	3067B	47	Shaft	1	3021C
16	Gear	1	3025C	48	Nut	2	M20×1.5
17	Bearing	3		49	Pin	1	5×25
18	Cover	3	3017B	50	Bushing	1	3020E
19	Cover	2	3044B	51	Fascia	1	3060B
20	Oil seal	2	3046B	52	Oil seal	1	3071D
21	Washer	1	3045B	53	Cover	1	3059D
22	Shaft	1	3033B	54	Cover	1	3042C
23	Gear	1	3029B	55	Oil seal	1	3070C
24	Gear	1	3031B	56	Gear box	1	3001D
25	Gear	1	3032B	57	Screw	6	M6×12
26	Gear	1	3003B	58	Pin	2	5×25
27	Washer	1	3030B	59	Spring washer	2	
28	Gear	1	3002B	60	Screw	2	M10×30
29	Gear	1	3026C	61	Screw	1	M6×10
30	Gear	1	3007C	62	Washer	1	6×32×5
31	Washer	1	3008C	63	Bushing	1	3024C
32	Circlip	2		64	Gear	1	3016C



NO.	NAME	QTY	NOTE	NO.	NAME	QTY	NOTE
65	Screw	1	M6×16	97	Pad	2	3048D
66	Shaft	1	3015C	98	Bulb	2	3052D
67	Oil seal	1	22×2.65	99	Oil seal	2	8.5×1.8
68	Gear	1	3014C	100	Shaft	2	3056D
69	Cover	1	3022F	101	Pin	2	3079D
70	Oil seal	1	3086D	102	Spring	2	
71	Screw	5	M6×25	103	Ball	4	
72	Shaft	1	3013D	104	Spring	4	1×5×14
73	Oil seal	1		105	Screw	4	M8×5
74	Screw	2	M16×1.5	106	Pin	2	M5×25
75	Washer	1		107	Pin	2	5×25
76	Oil seal	1	16×2.4	108	Hand lever	2	3055D
77	Screw	1	3012C	109	Pin	4	A6×20
78	Oil window	1		110	Pin	2	A5×15
79	Bracket	1	3011D	111	Screw	4	M4×6
80	Screw	1		112	Shifter	3	3062B
81	Screw	4	M22×24	113	Spring	2	1×5×14
82	Screw	2	M4×10	114	Shifter arm	1	3058D
83	Circlip	8		115	Shifter arm	1	3053D
84	Shifter arm	1	3063D	116	Tag	1	3064D
85	Shifter	1	3049B	117	Tag	1	3069D
86	Cover	1	3061B	118	Handle	2	2058
87	Shifter arm	1	3065D	119	Knob	2	M8×40
88	Jacket	2	3050D	120	Switch rod	1	3011D
89	Transparent scale	4	3080D	121	Screw	1	M6×10
90	Screw	6	M4×10	122	Position block	1	3012E
91	Key	4	5×6	123	Bearing	1	8103
92	Oil seal	2	21.5×1.8	124	Pin	1	5×40
93	Turn plate	2	3057D	125	Connection part	1	3020D
94	Tag	1	3071D	126	Ball	2	Ø6
95	Channel plate	2	3054D	127	Spring	2	1×5×20
96	Tag	1	3074D	128	Screw	2	M8×8



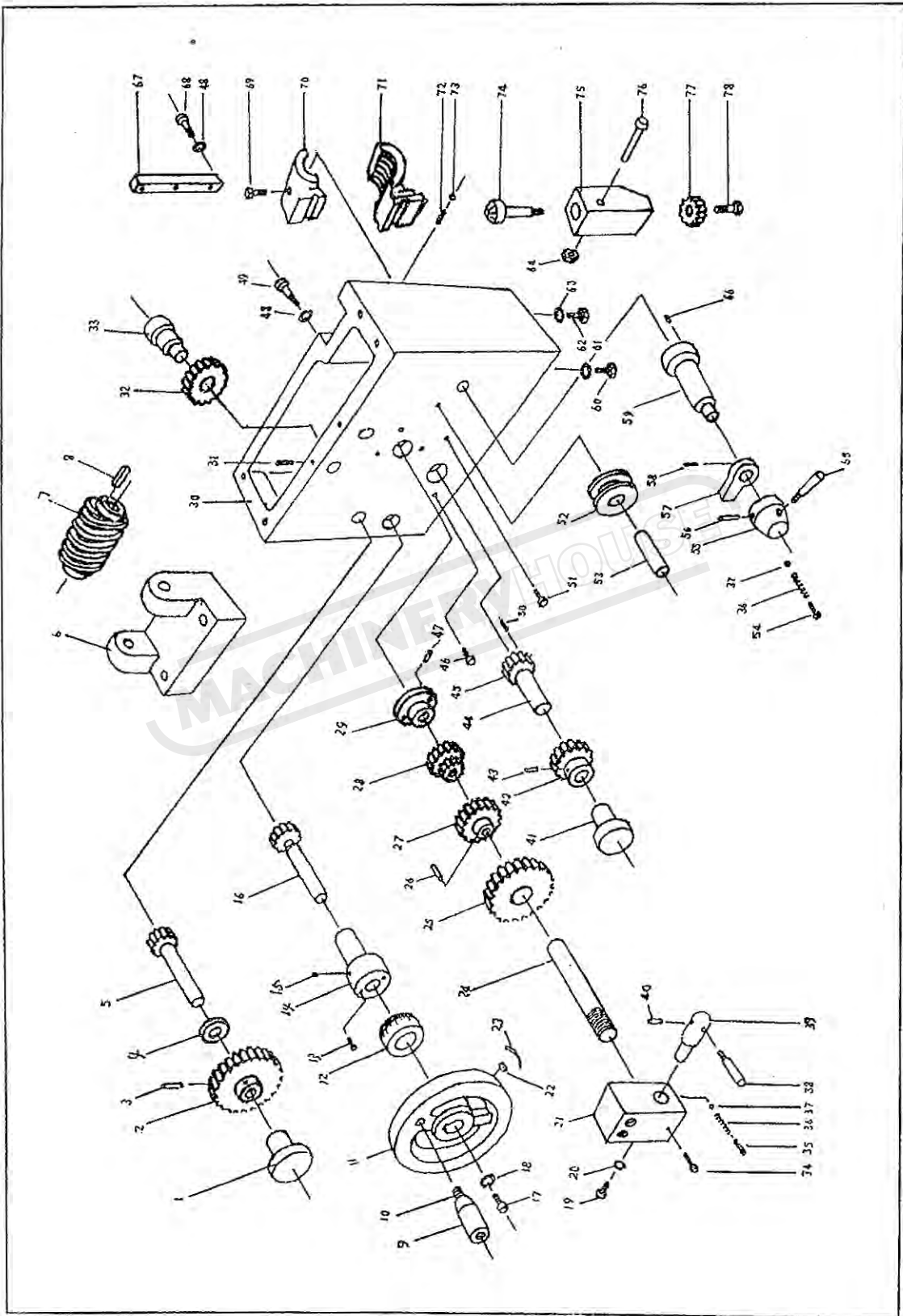
### GEAR BOX-III



GEAR BOX- III							
NO.	NAME	QTY	NOTE	NO.	NAME	QTY	NOTE
1	Oil cup	1		26	Gear	1	3003B
2	Screw	7	M6×12	27	Washer	1	3030B
3	Cover	1	3034B	28	Gear	1	3002B
4	Oil seal	1	3035C	29	Gear	1	3026C
5	Bearing	8	89103	30	Gear	1	3007C
6	Key	1	5×13	31	Washer	1	3008C
7	Shaft	1	3041B	32	Circlip	2	
8	Key	3	6×90	33	Bearing	1	89103
9	Gear	2	3005B	34	Gear	1	3009B
10	Washer	2	3066B	35	Key	1	C5×40
11	Screw	1	M6×8	36	Shaft	1	3019C
12	Gear	1	3027C	37	Shaft	1	3004B
13	Key	1	6×15	38	Key	1	5×35
14	Key	1	6×35	39	Circlip	1	
15	Shaft	1	3067B	40	Gear	1	3006C
16	Gear	1	3025C	41	Pin	2	5×6
17	Bearing	3	89102	42	Gear	1	3018C
18	Cover	3	3017B	43	Bearing	1	8103
19	Cover	2	3044B	44	Cover	1	3084D
20	Oil seal	2	3046B	45	Oil seal	1	3068D
21	Washer	1	3045B	46	Bearing	1	8104
22	Shaft	1	3033B	47	Shaft	1	3021C
23	Gear	1	3029B	48	Nut	2	M20×1.5
24	Gear	1	3031B	49	Pin	1	5×6
25	Gear	1	3032B	50	Bushing	1	3020E

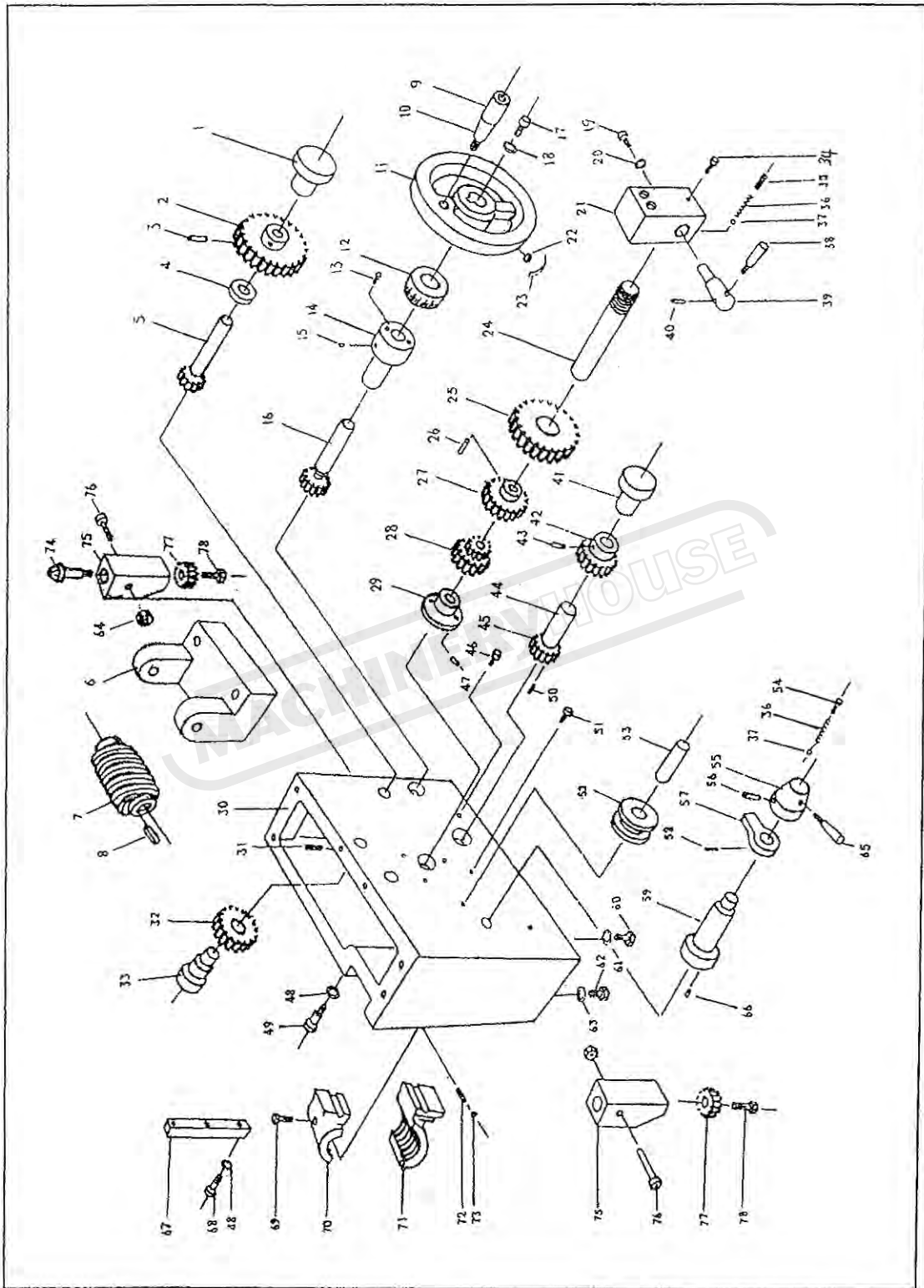
NO.	NAME	QTY	NOTE	NO.	NAME	QTY	NOTE
51	Fascia	1	3060E	76	Screw	8	M8×15
52	Oil seal	1	3071D	77	Screw	1	M6×10
53	Cover	1	3059D	78	Position piece	1	3012D
54	Cover	1	3042C	79	Support	1	7003B
55	Oil seal	1	3070C	80	Screw	2	M4×20
56	Gear box	1	3001C	81	Shaft	1	3011D
57	Screw	6	M6×12	82	Gear rack	1	3050C
58	Pin	2	5×25	83	Gear rack	2	3049C
59	Spring washer	2		84	Shaft	2	3089A
60	Screw	2	M10×30	85	Oil seal	4	12×1.8
61	Screw	1	M6×12	86	Screw	2	M4×6
62	Washer	1	6×32×5	87	Gear rack	1	3062C
63	Bushing	1	B1260	88	Screw	12	M3×6
64	Gear	1	3016C	89	Sign board	4	2060
65	Screw	1	M6×16	90	Screw	4	M8×6
66	Shaft	1	3015C	91	Spring	4	1×5×25
67	Oil seal	1	22×2.65	92	Steel ball	4	Ø5
68	Gear	1	3014C	93	Screw	4	M6×10
69	Cover	1	3022F	94	Washer	4	
70	Oil seal	1	3086D	95	Hand wheel	4	3054F
71	Screw	5	M6×25	96	Key	4	5×8
72	Shaft	1	3013E	97	Gear	4	3088
73	Oil seal	1	18×30×10	98	Oil window	1	A12
74	Screw	2	M16×1.5	99	Oil seal	4	16×2.4
75	Washer	2					

# APRON-LEFT





# APRON-RIGHT

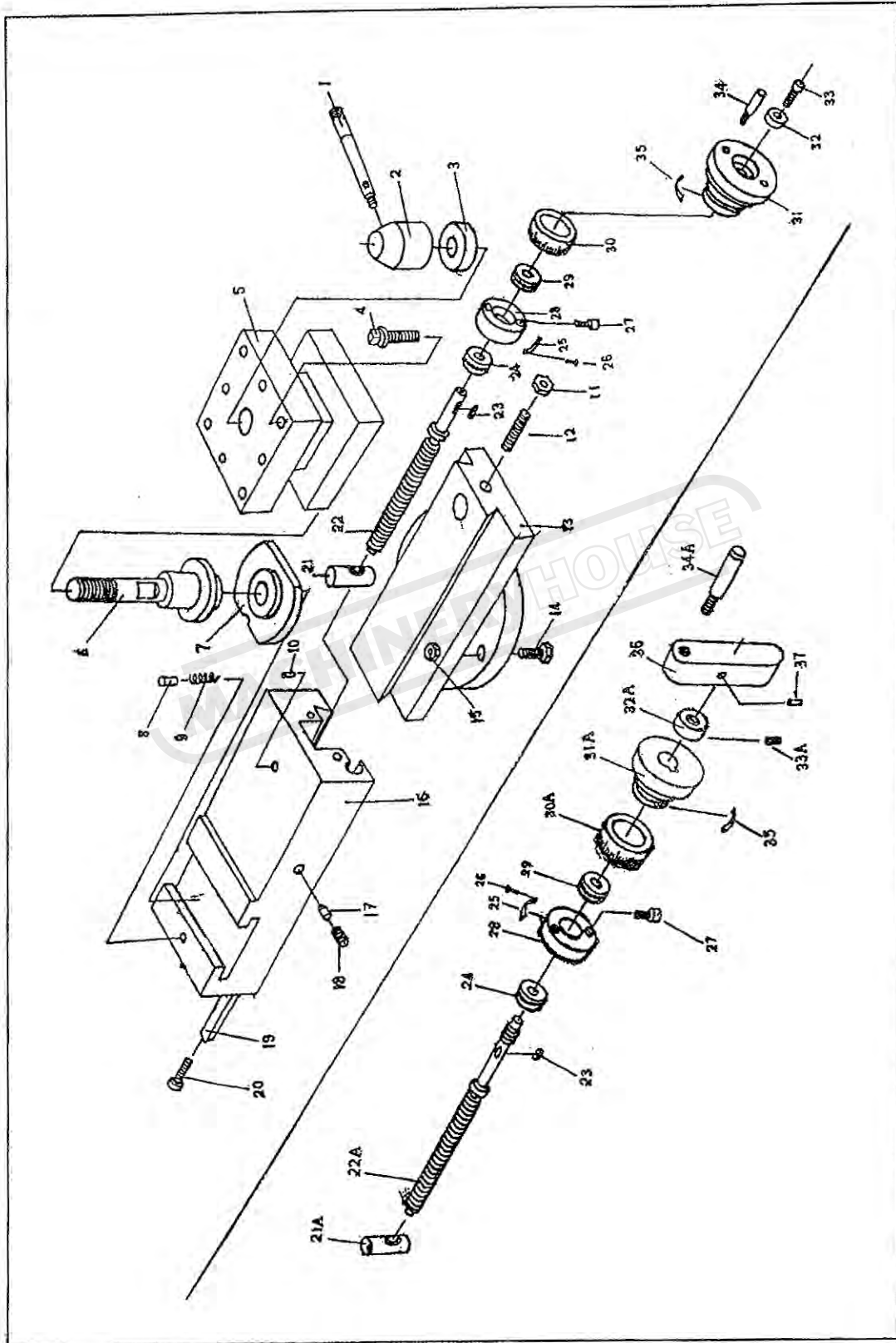


APRON-LEFT OR APRON-RIGHT							
NO.	NAME	QTY	NOTE	NO.	NAME	QTY	NOTE
1	Bushing	1	4026	23	Leaf spring	1	4037
2	Gear	1	4029	24	Shaft	1	4015
3	Pin	1	5×30	25	Gear	1	4012
4	Space	1	4027	26	Pin	1	5×33
5	Gear shaft	1	4028	27	Gear	1	4013
6	Worm am	1	4008	28	Gear	1	4014
7	Worm	1	4009	29	Bushing	1	4016
8	Flat key	1	B5×36	30	Apron case	1	4001
9	Handle	1	4032	31	Screw	1	M6×6
10	Lever	1	4033	32	Gear	1	4010
11	Hand wheel	1	4034	33	Shaft	1	4011
12	Index ring	1	4036	34	Screw	3	M6×45
13	Screw	1	M6×20	35	Screw	1	M8×8
14	Bracket	2	4031	36	Spring	2	1×45×6
15	Oil cup	1		37	Ball	2	
16	Gear shaft	4	4030	38	Lever	1	4041
17	Screw	1	M6×12	39	Gear shaft	1	4042
18	Washer	1	4035	40	Pin	1	5×25
19	Screw	4	M6×10	41	Bushing	1	4020
20	Washer	1	4038	42	Gear	1	4019
21	Boss	1	4039	43	Pin	1	5×25
22	Key	1	5×16	44	Shaft	1	4018



NO.	NAME	QTY	NOTE	NO.	NAME	QTY	NOTE
45	Worm gear	1	4017	67	Gib	1	3022
46	Oil window	1	A12	68	Half nut house	2	M6×25
47	Screw	2	M5×33	69	Screw	2	M5×35
48	Washer	3	Ø6	70	half nut	1	4002
49	Screw	1	M6×10	71	Screw	1	4003A1
50	Screw	1	M6×6	72	Screw	2	M6×15
51	Limit block	1	4043	73	Nut	2	M6
52	Safety shifter	2	4025	74	Thread dial	1	4006
53	Shaft	1	4024	75	Housing	1	4005
54	Screw	1	M8×8	76	Screw	1	M6×65
55	Boss	1	4045	77	Gear	1	4044
56	Pin	1	5×40	78	Screw	1	M6×15
57	Cam	1	4021				
58	Screw	1	M5×12				
59	Shaft	1	4023				
60	Screw	1	M8×30				
61	Washer	2	Ø8				
62	Screw	2	M10×1×20				
63	Washer	1	Ø10				
64	Lever	1	4007				
65	Lever	1	4044				
66	Pin	2	5×10				

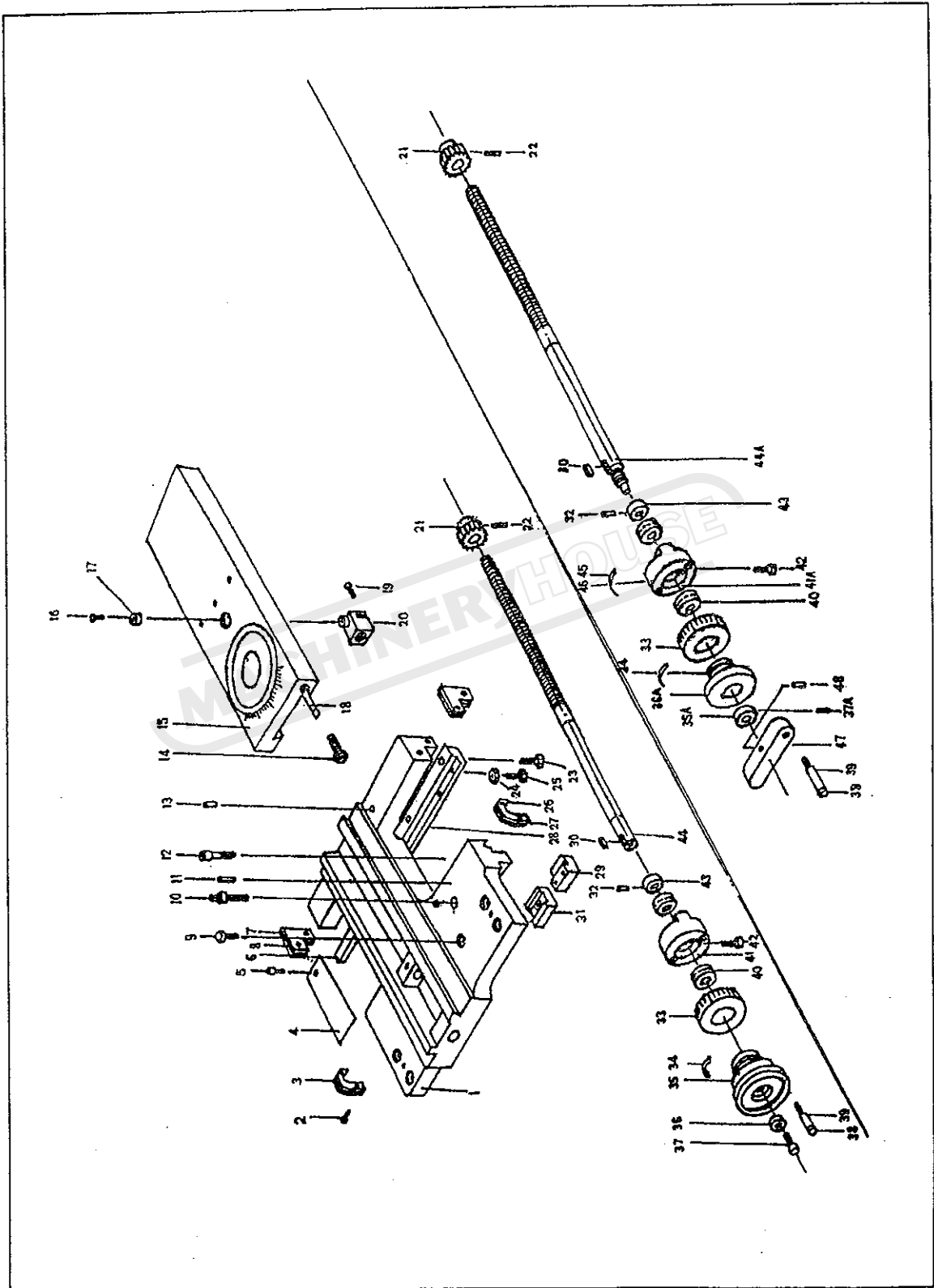
# COMPOUND REST



COMPOUND REST							
NO.	NAME	QTY	NOTE	NO.	NAME	QTY	NOTE
1	Handle	1	5010	23	Key	1	4×8
2	Boss	1	5009	24	Bearing	1	8101
3	Collar	1	5008	25	Scale	1	5026A2
4	Screw	8	M10×45	26	Rivet	2	2×4
5	Tool post	1	5005	27	Screw	2	M6×25
6	Shaft	1	5006	28	Bracket	1	5013
7	Nut	1	5003	29	Bearing	1	8101
8	Pin	1	5004	30	Index ring	1	5014A3
9	Spring	1	1.2×4.8×8	31	Hand wheel	1	5016A
10	Oil cup	1		32	Washer	1	5028
11	Nut	1	M6	33	Screw	1	M6×12
12	Screw	1	M6×16	34	Lever	2	5031
13	Compound	1	5001	35	Leaf spring	1	4037
14	Screw	2	5107	21A	Nut	1	5012
15	Nut	2	M10	22A	Guide screw	1	5011
16	Compound	1	5002	30A	Index ring	1	5014
17	Pin	1	5024	31A	Washer	1	5016
18	Screw	1	M6×8	32A	Nut	1	5025
19	Gib	1	5023	33A	Screw	1	M6×8
20	Screw	2	5021	34A	Lever	1	M8×63
21	Nut	1	5012A1	36	Bracket	1	5120
22	Guide screw	1	5011A3	37	Pin	1	3×16

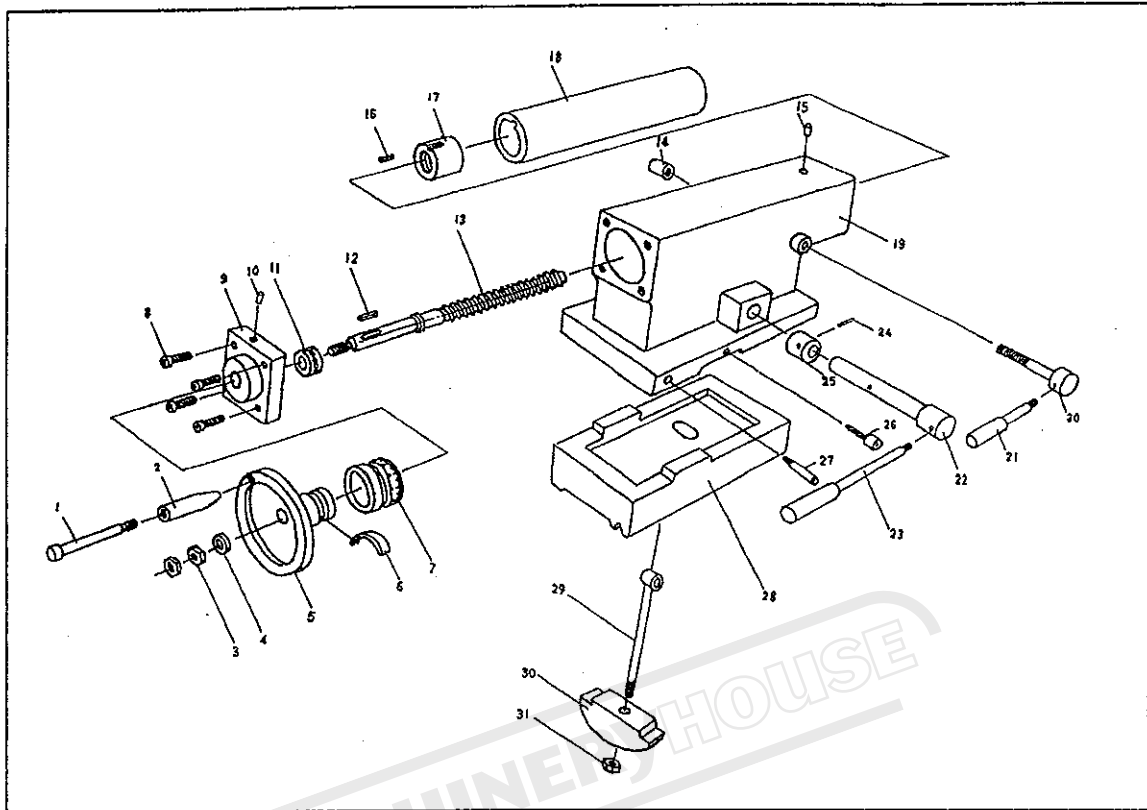


# SADDLE



SADDLE							
NO.	NAME	QTY	NOTE	NO.	NAME	QTY	NOTE
1	Saddle	1	5101	28	Press plate	1	5131
2	Screw	8	M5×132	29	Press plate	2	5116
3	Wipper	1	5108	30	Key	1	5×20
4	Cover	1	5106	31	Press plate	1	5129
5	Screw	1	M3×8	32	Pin	1	3×20
6	Press plate	2	5130	33	Index ring	1	5124A3
7	Press plate	2	5110	34	Leaf spring	1	4037
8	Wipper	2	5109	35	Hand wheel	1	5122A
9	Screw	1	5113	36	Washer	1	5028
10	Screw	1	5128	37	Screw	1	M6×16
11	Pin	2	6×45	38	Hand	1	4033
12	Screw	4	M10×30	39	Lever	1	4032
13	Oil cup	5		40	Bearing	1	8102
14	Screw	2	5115	41	Bracket	1	5125A
15	Tool post	1	5102	42	Screw	2	M8×30
16	Screw	1	M6×12	43	Washer	1	5126
17	Bushing	1	5105	44	Guide screw	1	5103A3
18	Gib	1	5114	35A	Collar	1	5122
19	Screw	2	M4×12	36A	Nut	1	5121
20	Nut	1	5104A2	37A	Screw	1	M6×6
21	Gear	1	5127	41A	Bracket	1	5125A
22	Screw	1	M6×8	44A	Guide screw	1	5103A2
23	Screw	7	M8×25	45	Rivet	2	2×4
24	Nut	4	M8	46	Scale	1	5133A2
25	Screw	4	M8×25	47	Bracket	1	5120
26	Press plate	2	5112	48	Pin	1	4×20
27	Wipper	1	5111				

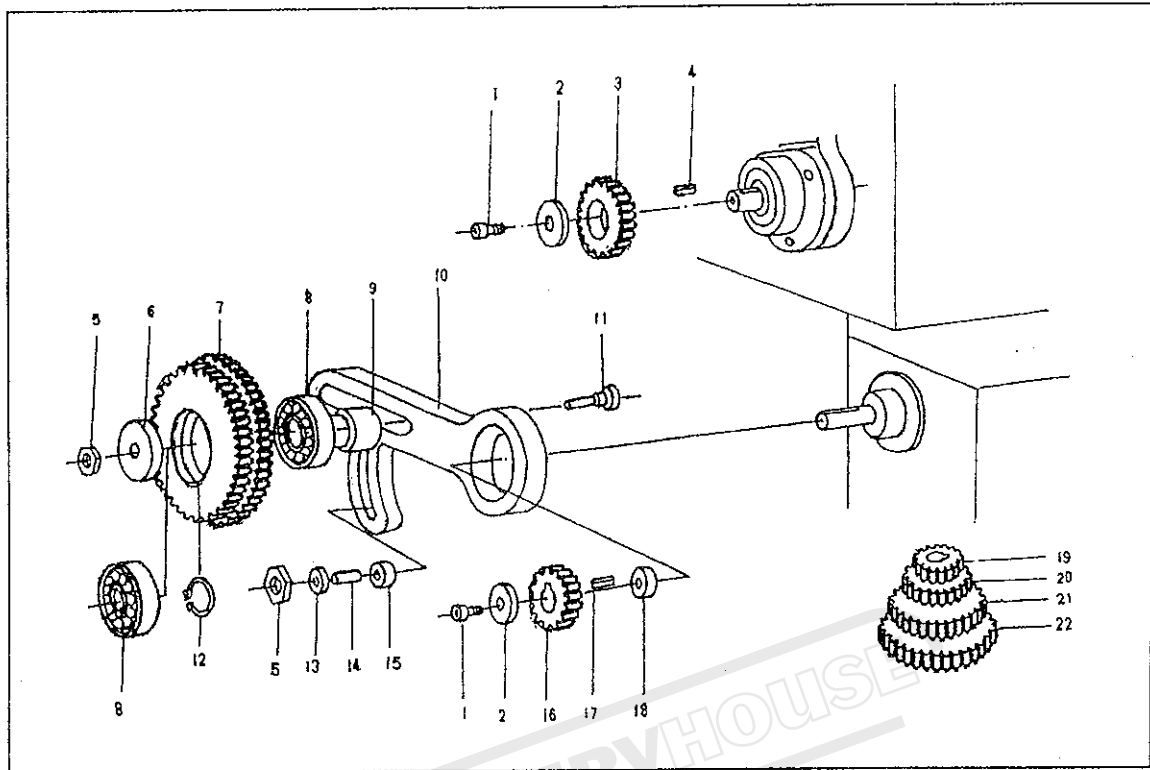
## TAIL STOCK



TAILSTOCK							
NO.	NAME	QTY	NOTE	NO.	NAME	QTY	NOTE
1	Handle	1	4033	17	Nut	1	6012
2	Lever	1	4032	18	Quill	1	6013
3	Nut	2	M10	19	Tail stock	1	6001
4	Washer	1	A10	20	Lock screw	1	6022
5	Hand wheel	1	6005	21	Handle	1	6021
6	Leaf spring	1	4037	22	Shaft	1	6017
7	Index ring	2	6010	23	Handle	1	6004
8	Screw	4	M6×16	24	Pin	1	5×30
9	Bracket	1	6011	25	Collar	1	6018
10	Oil cup	1		26	Screw	1	M10×50
11	Bearing	1		27	Screw	1	6003
12	Key	1	4×15	28	Base	1	6002
13	Guide screw	1	6006	29	Shaft	1	6019
14	Lock nut	1	6023	30	Base shoe black	1	6020
15	Oil cup	1		31	Nut	1	M12
16	Screw	2	M6×8				

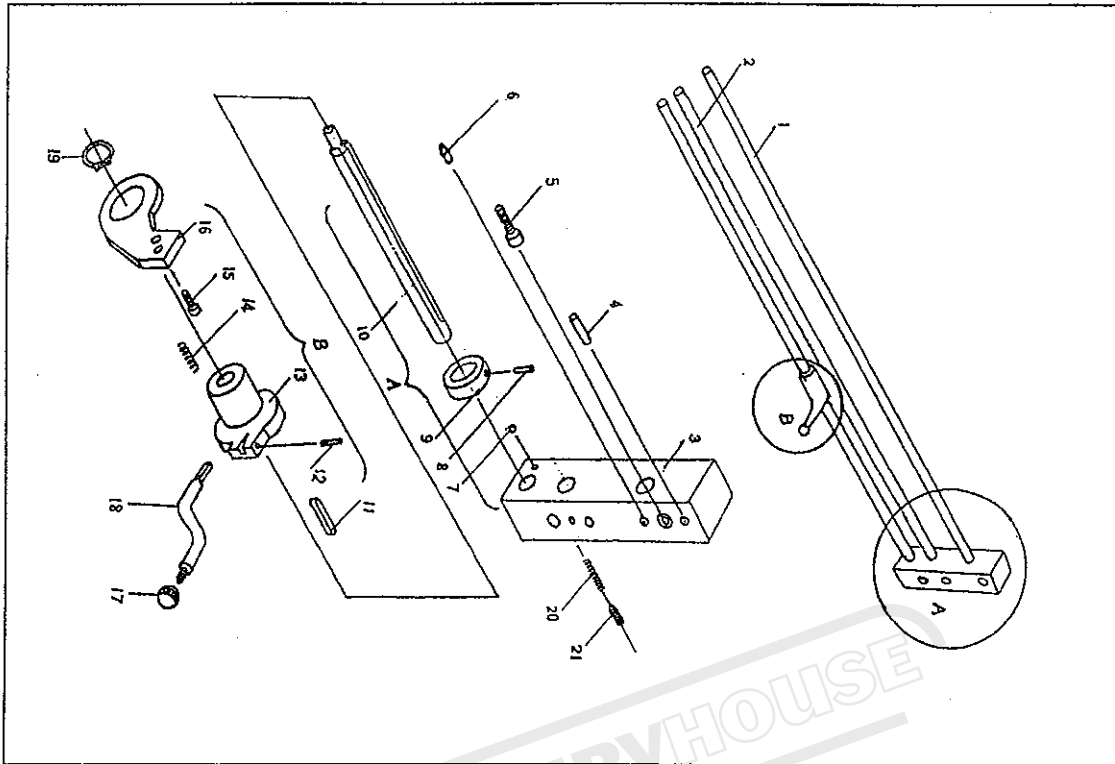


## CHANGE GEAR



CHANGE GEAR							
NO.	NAME	QTY	NOTE	NO.	NAME	QTY	NOTE
1	Screw	2	M6×12	12	Circlip	1	
2	Washer	2	2003	13	Washer	1	
3	Gear	1	2002C	14	Screw	1	M10×45
4	Key	1	C5×8	15	Washer	1	3037A
5	Nut	2	M10	16	Gear	1	3039C
6	Washer	1	3035	17	Key	1	5×18
7	Gear	1	3038C	18	Washer	1	3034B
8	Bearing	1		19	Change gear	1	3076C
9	Collar	1	3033	20	Change gear	1	3075C
10	Quadrant	1	3043B	21	Change gear	1	3077C
11	Screw	1	3034	22	Change gear	1	3078C

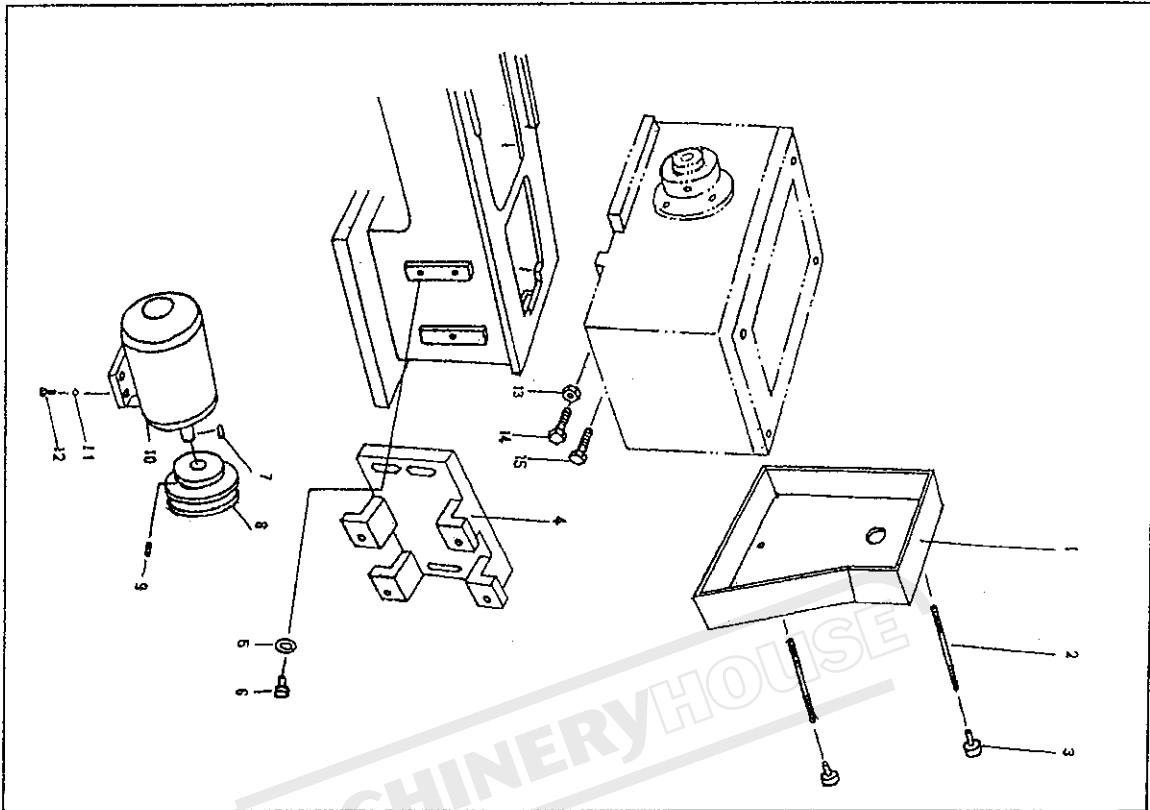
## CONTROL SWITCH ASSEMBLY



### CONTROL SWITCH ASSEMBLY

NO.	NAME	QTY	NOTE	NO.	NAME	QTY	NOTE
1	Guide screw	1	1005B	12	Pin	1	4×20
2	Rod	1	1006B	13	Bracket	1	1014B
3	Bracket	1	1012	14	Spring	1	1.2×8.10
4	Pin	2	6×65	15	Screw	2	M6×15
5	Screw	2	M8×60	16	Bracket	1	1015B
6	Oil cup	2		17	Handle ball	1	M10×32
7	Ball	1		18	Handle	1	1016
8	Pin	1	4×20	19	Circlip	1	
9	Bushing	1	1035B	20	Spring	1	1×5×30
10	Feed rod	1	1010	21	Screw	1	M8×10
11	Key	1					

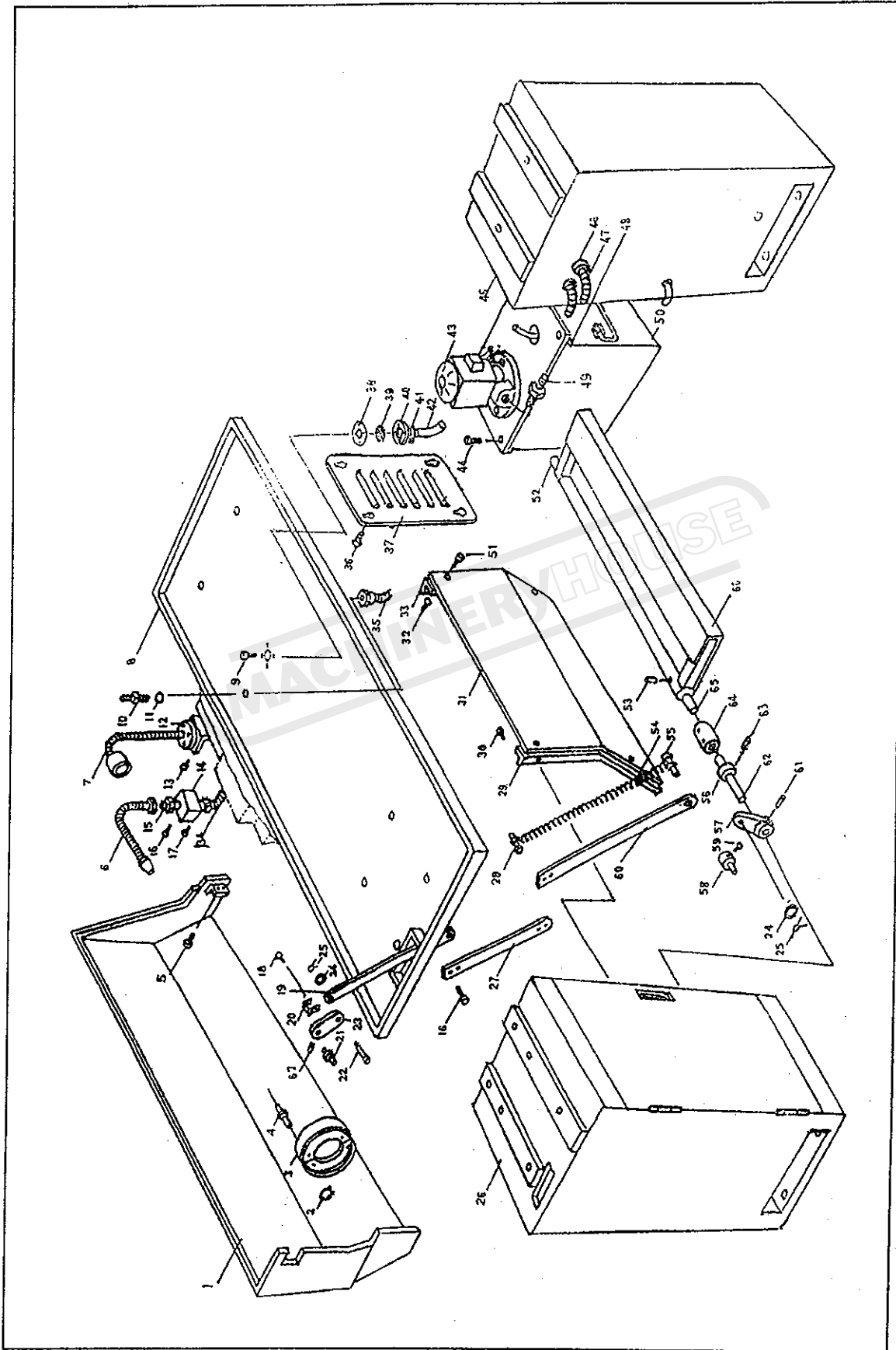
## BED AND DRIVE ASSEMBLY



### BED AND DRIVE ASSEMBLY

NO.	NAME	QTY	NOTE	NO.	NAME	QTY	NOTE
1	Cover	1	1021	9	Screw	1	M6×8
2	Screw	2	1002	10	Motor	1	
3	Nut	2	1001	11	Spacer	4	Ø8
4	Trestle	1	1024	12	Screw	4	
5	Washer	3	1013	13	Nut	2	M6
6	Screw	3		14	Screw	2	M8×45
7	Key	1	8×40	15	Screw	2	M8×30
8	Pulley	1	1003A5				

### SPECIAL ACCESSORIES



SPECIAL ACCESSORIES--BASE PART							
NO.	NAME	QTY	NOTE	NO.	NAME	QTY	NOTE
1	Chip guard	1	1023	31	Back plate	1	8601
5	Screw	4	M6×16	32	Nut	4	M6
8	Oil pan	1	1022	33	Right bracket	1	8603
26	Left cabinet	1	8400	45	Right cabinet	1	8500
29	Left bracket	1	8602	51	Screw	4	M6×16
30	Screw	4	M6×16				

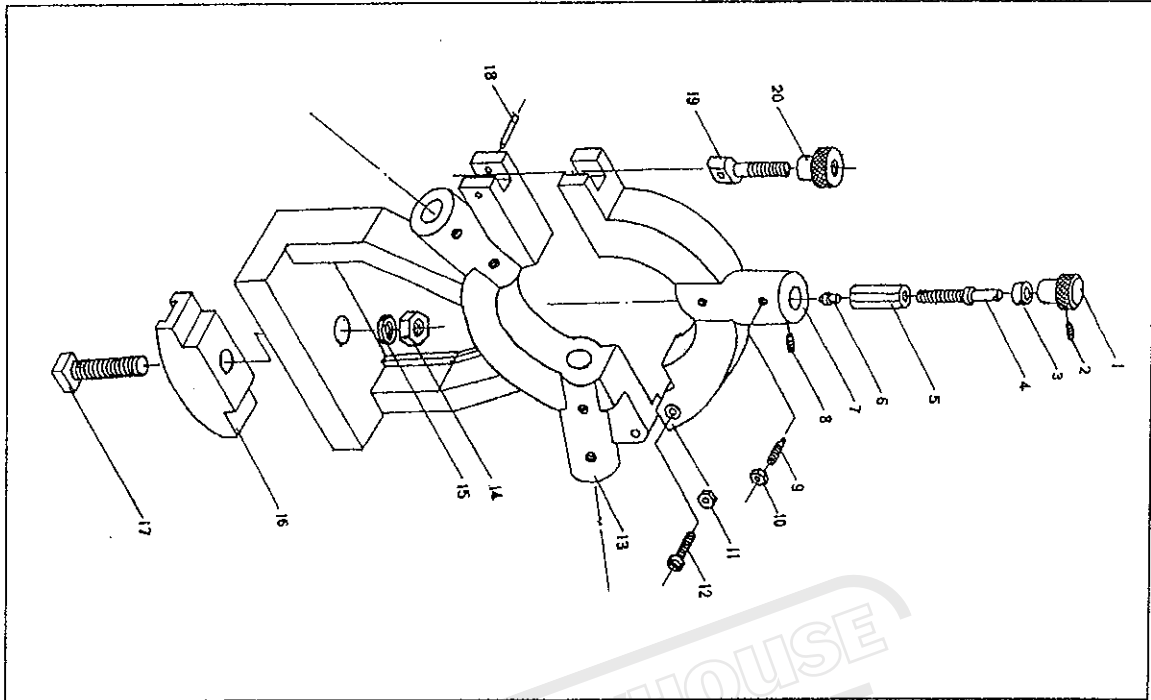
SPECIAL ACCESSORIES--BRAKE PART							
NO.	NAME	QTY	NOTE	NO.	NAME	QTY	NOTE
2	Open circlip	1		53	Spring pin	1	5×25
3	Brake block	1		54	Spring	1	1048
4	Shaft	1	1040	55	Shaft	1	1047
16	Screw	2	M6×12	56	Circlip	1	20
18	Screw	1	M4×10	57	Shifter	1	1045
19	Draw rod	1	1043	58	Shaft	1	1052
20	Bracket	1	1053	59	Screw	1	M6×30
21	Pivot	1	1042	60	Draw rod	1	1054
22	Pin	1	8×20	61	Spring pin	1	5×40
23	Shifter	1	1041	62	Shaft	1	1049-1
24	Washer	2		63	Screw	1	M6×12
25	Open clip	2	2.5×16	64	Connecting sleeve	1	1049-3
27	Draw rod	1	1044	65	Shaft	1	1049-2
28	Screw	1	M10×30	66	Paddle	1	1050
52	Shaft	1	1051	67	Spring pin	1	4×25

SPECIAL ACCESSORIES--COOLING PART							
NO.	NAME	QTY	NOTE	NO.	NAME	QTY	NOTE
6	Coolant pipe	1		39	Filter	1	9203
9	Screw	4	M5×12	40	Pipe	1	9204
10	Pipe connecting	1	9206	41	Hooping	1	
11	Washer	1	9207	42	Pine	1	16×1000
14	Bracket	1	9208	43	Coolant	1	
15	Shaft	1	X6121-06011 A	44	Screw	4	M5×10
17	Screw	2	M8×35	46	Pipe	1	M16×15
34	Coolant pipe	1		47	Metal pipe	1	8×1800
35	Coolant pipe	1		48	Cover	1	9210
36	Screw	4	M6×12	49	Pipe	1	9206
37	Cover	1	9201A	50	Coolant box	1	9209
38	Papet lining	1	9205				

SPECIAL ACCESSORIES--LIGHTING PART							
NO.	NAME	QTY	NOTE	NO.	NAME	QTY	NOTE
7	Working lamp	1		13	Screw	2	M5×12
12	Bracket	1	7015				

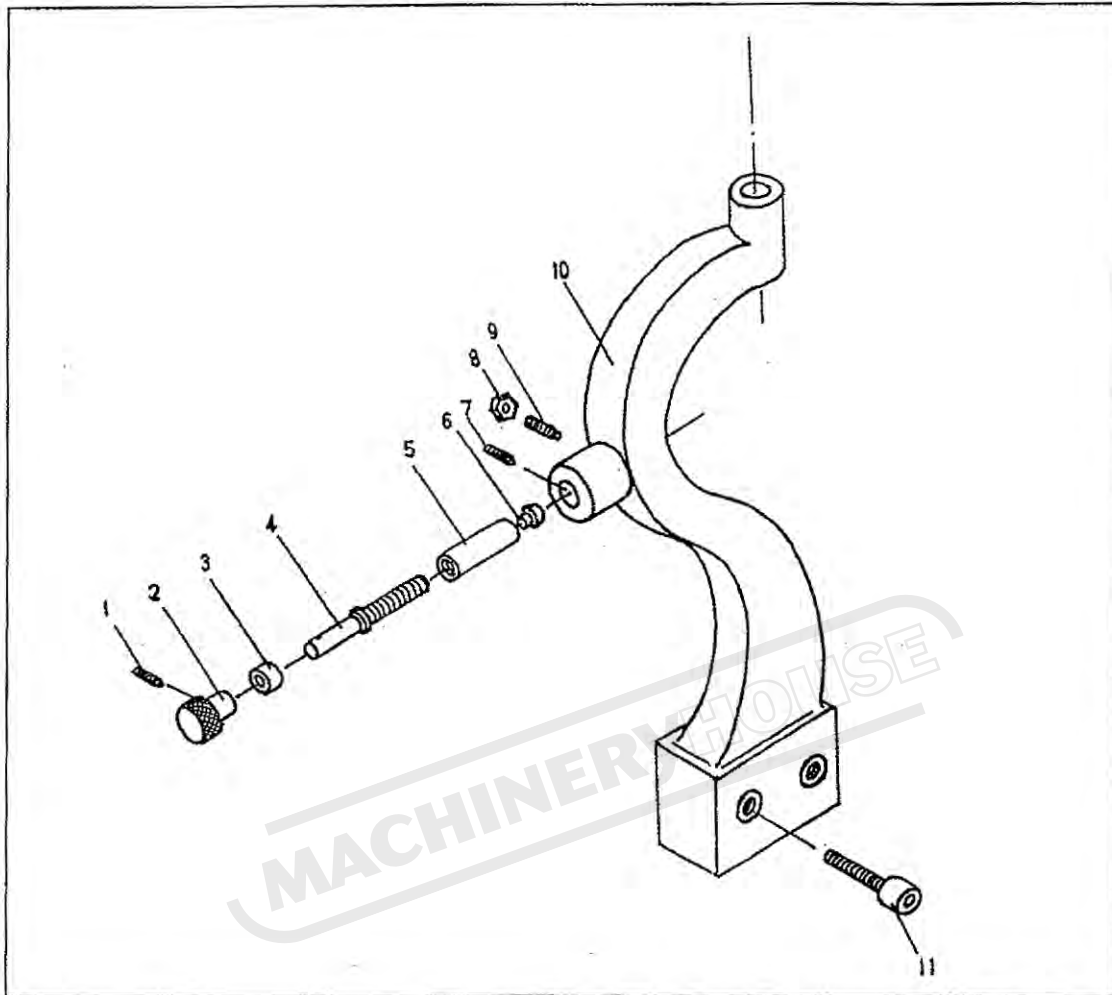


## STEADY REST



STEADY REST							
NO.	NAME	QTY	NOTE	NO.	NAME	QTY	NOTE
1	Knob	3	8205	11	Hex screw nut	1	M6
2	Screw	3	M6×8	12	Screw	1	M6×25
3	Collar	3	8207	13	Base body	1	8201
4	Pressing lever	3	8206	14	Hex screw nut	1	M12
5	Pressing collar	3	8208	15	Washer	1	12
6	Pressing base	3	8209	16	Pressing plate	1	6020
7	Upper body	1	8202	17	Square ad bolt	1	M12×60
8	Screw	3	M6×10	18	Spring pin	1	4×25
9	Screw	3	M6×16	19	Locking lever	1	8203
10	Hex screw nut	3	M6	20	Locking screw nut	1	8204

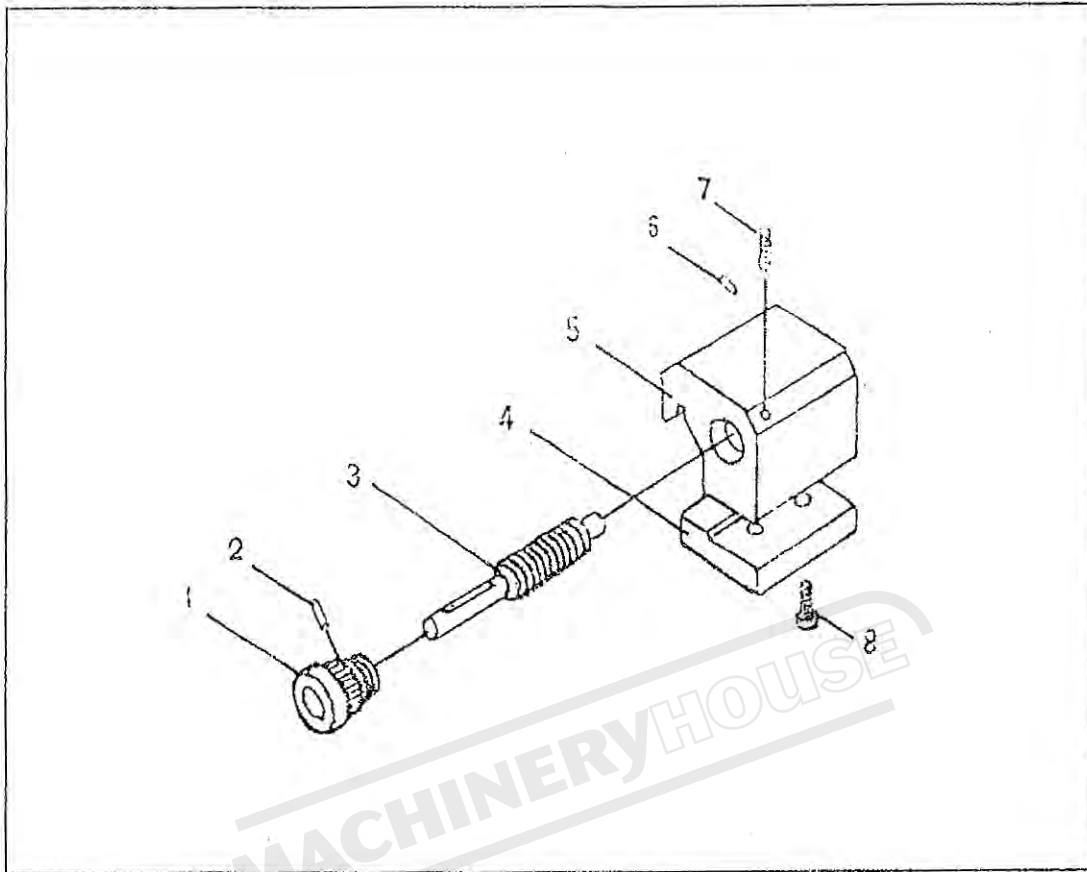
## FOLLOW REST



### FOLLOW REST

NO.	NAME	QTY	NOTE	NO.	NAME	QTY	NOTE
1	Screw	2	M6×6	7	Screw	2	M6×10
2	Knob	2	8205	8	Hex screw nut	2	M6
3	Collar	2	8207	9	Screw	2	M6×16
4	Pressing lever	2	8206	10	Body	1	8201
5	Pressing collar	2	8208	11	Bolt	2	M8×40
6	Pressing base	2	8209				

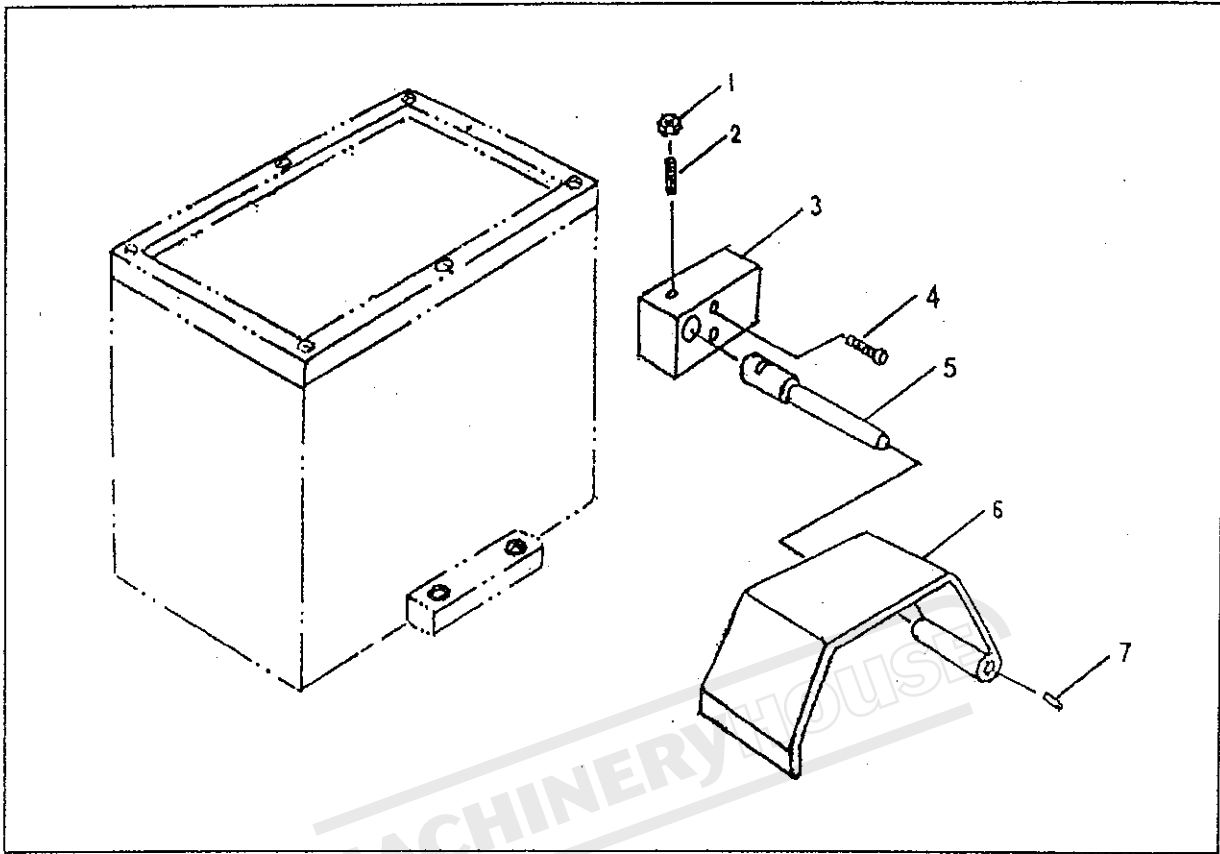
## POSITION DEVICE



### POSITIONING DEVICE

NO.	NAME	QTY	NOTE	NO.	NAME	QTY	NOTE
1	Knob	1	8705	5	Body	1	8703
2	Pin	1	M3×6	6	Indicator	1	8707
3	Guide screw	1	8706	7	Screw	1	M6×10
4	Pressing plate	1	8704	8	Screw	2	M6×12

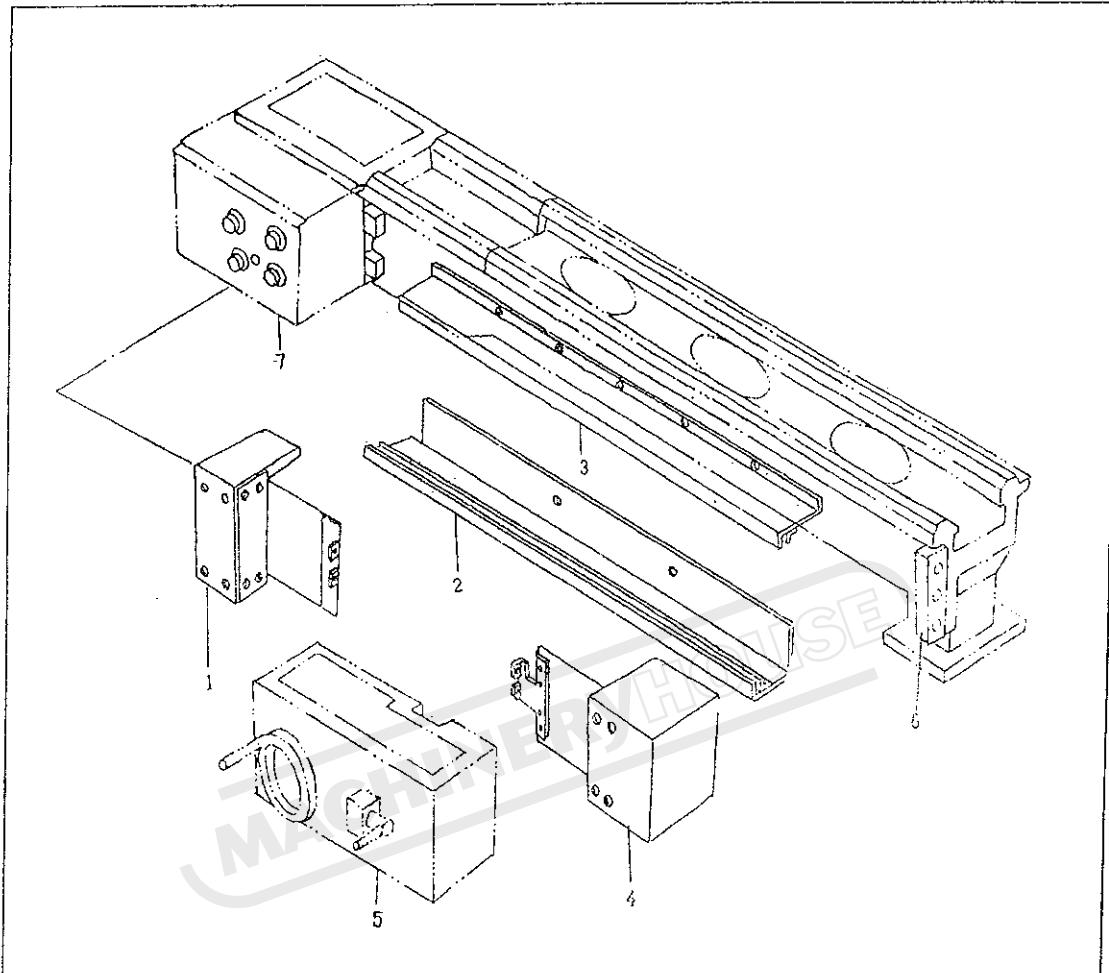
## PROTECTING COVER



### PROTECTING COVER

NO.	NAME	QTY	NOTE	NO.	NAME	QTY	NOTE
1	Nut	1	M6	5	Shaft	1	8902
2	Screw	1	M6 × 16	6	Protecting cover	1	8903
3	Switch box	1	8901	7	Pin	1	M4 × 12
4	Screw	2	M6 × 45				

### GUARD



GUARD							
NO.	NAME	QTY	NOTE	NO.	NAME	QTY	NOTE
1	Left box	1	1120	5	Apron	1	4000
2	Down board	1	1118	6	Bracket	1	1012
3	Up board	1	1117	7	Gear Box	1	3000
4	Right box	1	1110				